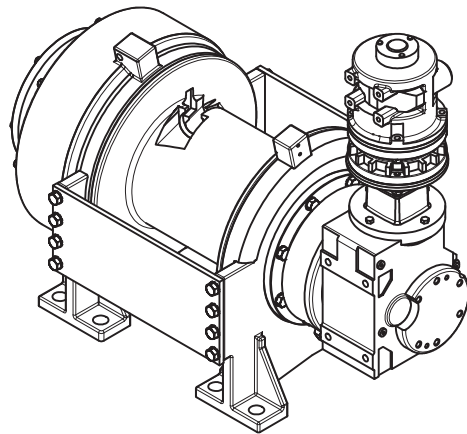
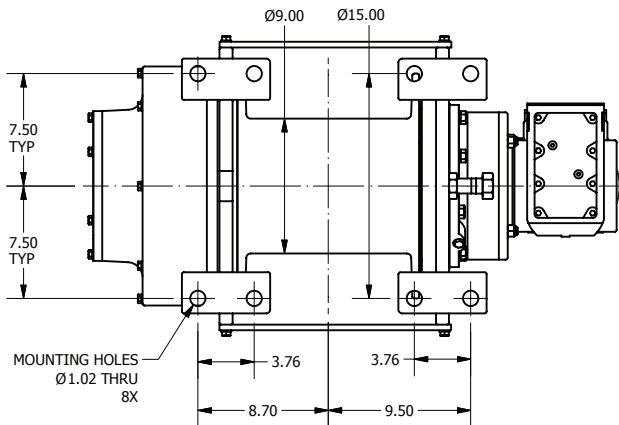
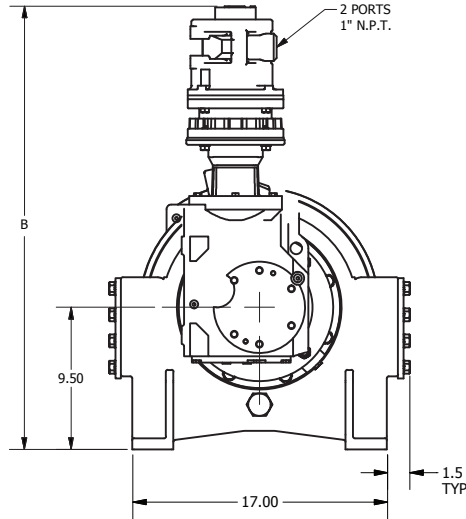
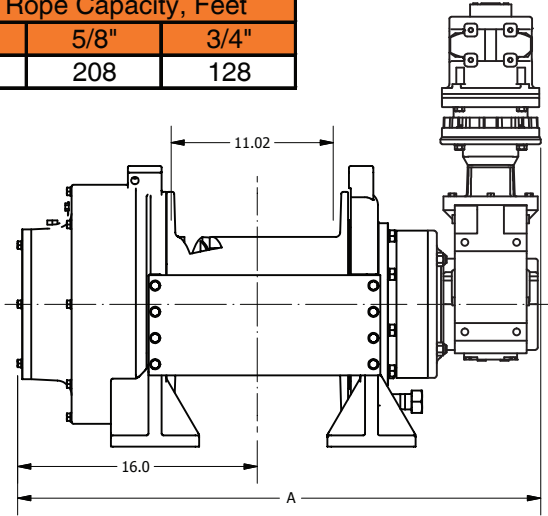


CAUTION: The final determination as to the suitability of this product for any purpose is solely that of the user. Columbia products are not to be used to lift people or to lift anything over people.

DIMENSIONAL/PERFORMANCE DATA

Wire Rope Capacity, Feet		
1/2"	5/8"	3/4"
324	208	128



Model	Power Input		Motor HP	Typical Weight (lbs)	Calculated Performance (3/4" wire rope)						Dimensions	
	PSI	CFM			First Layer		Mean Drum		Full Drum		A ¹	B ¹
					LBS	FPM	LBS	FPM	LBS	FPM		
WR20000	80	210	6.25	770	20,000	8.0	17,506	9.1	15,664	10.1	34.9	29.6
WR30000	80	210	6.25	770	30,000	5.0	27,783	5.7	24,860	6.4	34.9	29.6
WR30000	75	280	12.5	800	30,000	9.4	26,489	10.6	23,702	11.9	34.9	32.4
WR40000	80	210	6.25	770	40,000	4.0	35,304	4.5	31,590	5.0	34.9	29.6
WR40000	70	270	12.5	800	40,000	6.4	35,316	7.3	31,601	8.1	34.9	32.4

Gearmotors can be rotated in 90° increments

¹ Typical dimensions shown

Columbia winches and hoists are available for AC, DC, hydraulic or pneumatic power sources. Special models for any application can be supplied - please contact your distributor for details.

Distributed by:

ALLIED POWER PRODUCTS, INC.

THE WINCH & HOIST SPECIALISTS

6590 SW Fallbrook Place, Beaverton, OR 97008
(503) 626-0654 Fax (503) 646-1996

www.alliedpower.com