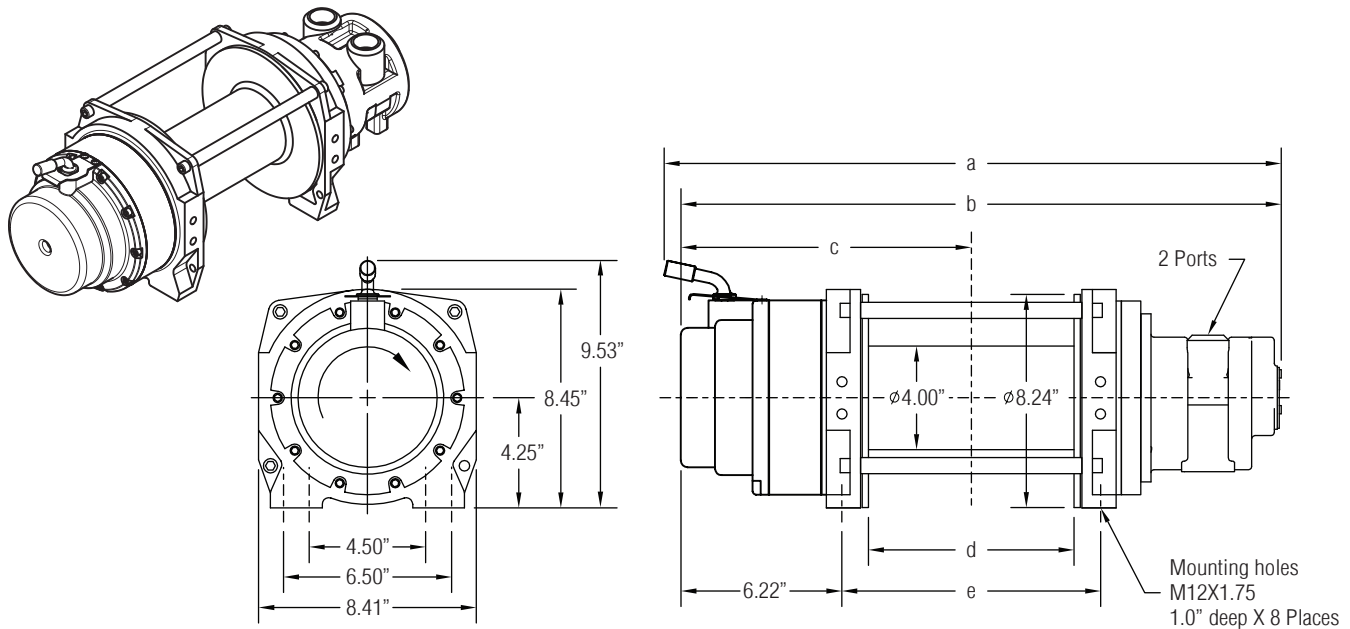


### DIMENSIONAL DATA



| Drum Size | Dimensions |         |        |        |         |        |        |       |       | Typical Weight |         |         | Wire Rope Capacity |       |      | Motor   | Port Size |
|-----------|------------|---------|--------|--------|---------|--------|--------|-------|-------|----------------|---------|---------|--------------------|-------|------|---------|-----------|
|           | a          |         |        | b      |         |        | c      | d     | e     | 2.5 HP         | 4.25 HP | 6.5 HP  | 1/4"               | 5/16" | 3/8" |         |           |
|           | 2.5 HP     | 4.25 HP | 6.5 HP | 2.5 HP | 4.25 HP | 6.5 HP |        |       |       |                |         |         |                    |       |      |         |           |
| 01        | 22.4"      | 23.9"   | 24.5"  | 21.8"  | 23.3"   | 23.9"  | 11.22" | 8.0"  | 10.0" | 86 lbs         | 96 lbs  | 104 lbs | 326'               | 228'  | 159' | 2.5 HP  | 1/2" NPT  |
| 02        | 24.4"      | 25.9"   | 26.5"  | 23.8"  | 25.3"   | 25.9"  | 12.22" | 10.0" | 12.0" | 89 lbs         | 99 lbs  | 107 lbs | 407'               | 285'  | 198' | 4.25 HP | 3/4" NPT  |
| 03        | 26.9"      | 28.4"   | 29.0"  | 26.3"  | 27.8"   | 28.4"  | 13.47" | 12.5" | 14.5" | 99 lbs         | 109 lbs | 117 lbs | 509'               | 356'  | 248' | 6.5 HP  | 1" NPT    |

### PERFORMANCE

| Model     | HP   | Power Input |     | Gear Ratio | Calculated Performance |      |           |       |           |       |
|-----------|------|-------------|-----|------------|------------------------|------|-----------|-------|-----------|-------|
|           |      | PSI         | CFM |            | First Layer            |      | Mean Drum |       | Full Drum |       |
|           |      |             |     |            | LBS                    | FPM  | LBS       | FPM   | LBS       | FPM   |
| WG750-P   | 4.25 | 65          | 110 | 36:1       | 750                    | 95.4 | 562       | 123.8 | 457       | 152.1 |
| WG1600-P  | 6.5  | 75          | 190 | 36:1       | 1600                   | 95.4 | 1206      | 123.8 | 981       | 152.1 |
| WG2750-P  | 2.5  | 70          | 75  | 261:1      | 2,750                  | 17.6 | 2,190     | 22.8  | 1,782     | 28.0  |
| WG5000-P  | 4.25 | 65          | 110 | 261:1      | 5,000                  | 13.2 | 3,910     | 17.1  | 3,182     | 21.0  |
| WG10000-P | 6.5  | 75          | 190 | 261:1      | 10,000                 | 13.0 | 7,170     | 17.0  | 6,270     | 21.0  |

Performance based on intermittent duty cycles.

Columbia winches and hoists are available for AC, DC, hydraulic or pneumatic power sources. Special models for any application can be supplied - please contact your distributor for details.

Distributed by:

**ALLIED POWER PRODUCTS, INC.**

**THE WINCH & HOIST SPECIALISTS**

6590 SW Fallbrook Place, Beaverton, OR 97008

(503) 626-0654 Fax (503) 646-1996

www.alliedpower.com