

CM[®]

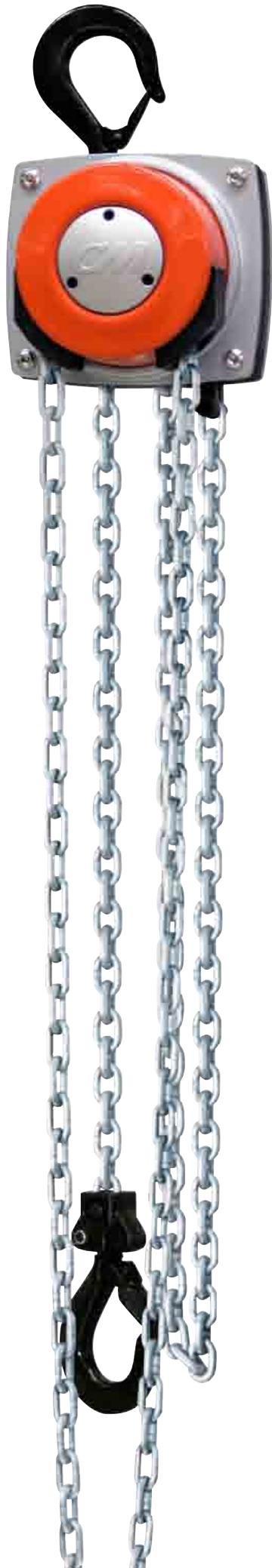
Hurricane
HAND CHAIN HOIST

360°



**APPROACH FROM
A NEW ANGLE**





Hurricane ^{360°}

HAND CHAIN HOIST

1/2 to 10 tons Capacities

For the ultimate flexibility in a hand chain hoist, the CM Hurricane 360° is the choice for a wide range of applications. The patented hand chain cover rotates a full 360 degrees to allow loads to be lifted, pulled, or positioned from virtually any angle. In addition to providing maximum versatility, this unit offers a convenient way to maneuver loads without standing under the load. The Hurricane 360° allows workers to view hand chain hoists in a whole new light and provides a tool for addressing unique jobs in a broad range of environments.

TRUSTED RELIABILITY

Braking power of our Weston-Style Braking System which provides positive load control & reliable performance. Minimal maintenance and easily disassembled with no special tools.

SAFETY

Standard Load Limiter for simple, automatic overload protection.

BUILT TO LAST

All internal gears and pinions are heat treated steel for high strength and long life.

Precision 4-Pocket Liftwheel and Chain Guide provides better chain fit and alignment which reduces wear and increases chain life.

RUGGED TOUGHNESS

Powder Coated Finish for corrosion protection.

Alloy hardened Steel Load Chain assures high strength and long wear life.

Meets ASME B30.16 and European CE Standard.

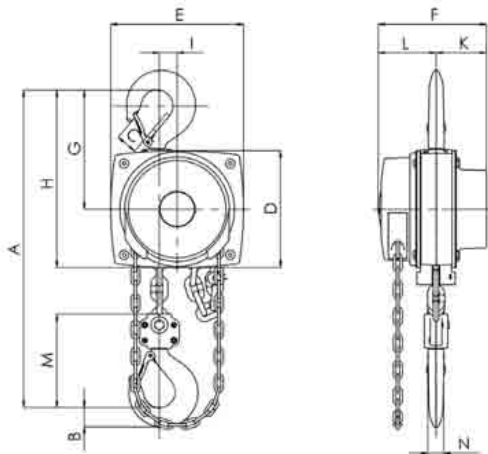
Lifetime Warranty.

CM[®]

APPROACH FROM A NEW ANGLE APPROACH FROM ANY ANGLE

The Hurricane 360° is ideal when working:

- **in tight spaces** where the rigid handle of a lever hoist would be difficult to maneuver and operate.
- **above the load** being lifted.
- **on a drifting application** where the hand chain angle adjusts throughout the operation.
- with large loads to allow the operator to be **a safe distance** away.



Hurricane 360° LESS CHAIN

Product Code	Load Rating (Tons)
5632A	1/2
5633A	1
5634A	2
5638A	3
5642A	5
5646A	10

SPECIFICATIONS

Product Code	Load Rating TONS (kg)	Lift		Net Weight LBS	Hand Chain Pull to Lift Rated Load LBS (kg)	Hand Chain Overhauled to Lift Load One Foot FT (m)	Dimensions in inches (mm)																	
		ft	m				A	B	C	D	E	F	G	H	I	K	L	M	N					
5623A		10	3	23																				
5624A	1/2	15	4.5	28	44	30	11.811	0.669	0.945	5.236	5.827	5.827	5.472	8.110	0.945	2.402	3.425	4.331	0.551					
5625A	(500)	20	6	33	(20)	(9.1)	(300)	(17)	(24)	(133)	(148)	(148)	(139)	(206)	(24)	(61)	(87)	(110)	(14)					
5651A		30	9	43																				
5626A		10	3	26																				
5627A	1	15	4.5	33	54	49	13.189	0.866	1.142	6.142	6.890	6.575	6.457	9.528	0.945	2.756	3.819	4.921	0.748					
5628A	(1000)	20	6	41	(24)	(14.9)	(335)	(22)	(29)	(156)	(175)	(167)	(164)	(242)	(24)	(70)	(97)	(125)	(19)					
5653A		30	9	58																				
5629A		10	3	45																				
5630A	2	15	4.5	48	74	71	15.551	1.181	1.378	7.165	7.992	7.638	7.559	11.142	1.220	3.268	4.370	6.142	0.866					
5631A	(2000)	20	6	51	(34)	(21.6)	(395)	(30)	(35)	(182)	(203)	(194)	(192)	(283)	(31)	(83)	(111)	(156)	(22)					
5635A		10	3	68																				
5636A	3	15	4.5	79	92	87	20.472	1.496	1.575	8.661	9.843	8.622	8.858	13.189	1.339	3.740	4.882	7.008	1.181					
5637A	(3000)	20	6	90	(42)	(26)	(520)	(38)	(40)	(220)	(250)	(219)	(225)	(335)	(34)	(95)	(124)	(178)	(30)					
5639A		10	3	122																				
5640A	5	15	4.5	142	76	174	25.748	1.772	1.850	8.661	9.843	8.622	9.528	13.858	0.827	3.740	4.882	11.220	1.457					
5641A	(5000)	20	6	162	(34)	(53)	(654)	(45)	(47)	(220)	(250)	(219)	(242)	(352)	(21)	(95)	(124)	(285)	(37)					
5643A		10	3	210																				
5644A	10	15	4.5	240	102	261	32.480	2.677	2.677	8.661	15.079	8.622	12.835	17.165	5.354	3.740	4.882	15.787	1.969					
5645A	(10000)	20	6	270	(46)	(79.3)	(825)	(68)	(68)	(220)	(383)	(219)	(326)	(436)	(136)	(95)	(124)	(401)	(50)					





KNOW HOW...KNOW WHY

Columbus McKinnon is a global leader in providing expertise and training in the proper use and inspection of rigging and overhead lifting equipment. With a range of comprehensive programs and seminars conducted at venues throughout North America, as well as on site at private companies and industries, Columbus McKinnon courses include:

- Hoist Maintenance
- Load Securement
- Crane & Hoist Inspection
- Mobile Crane Operator
- Rigging
- Safe Hoisting
- Crane Operator Training
- Rigging Gear Inspection

In addition, classes are available at the new state-of-the-art **Hoist & Rigging Training Center of Excellence** in the Center for Occupational Health and Automobile Manufacturing (COHAM) lab located at The Ohio State University. The COHAM lab is a hands-on learning center which allows attendees to understand how to properly use and inspect overhead lifting equipment. This leading edge training program is designed to increase workplace productivity and safety in an ergonomically-friendly training environment.



In addition to the strong knowledge base exemplified by comprehensive training programs, Columbus McKinnon is one of the only manufacturers supplying complete lifting systems to satisfy unique material handling requirements of users in a variety of environments. From jib cranes and hoists to chain slings, clamps, and related attachments; systems include products that are matched specifically to the lifting needs of the application. Products may also be modified in order to ensure that the proper system is in place for the job.

Whether your needs call for a single CM Hurricane 360° hoist or a completely engineered system to outfit your production facility, Columbus McKinnon provides the products and expertise to keep your workforce productive and safe.



COLUMBUS MCKINNON CORPORATION

FAMILY OF BRANDS



Phone (800) 888.0985 • (716) 689.5400 • Fax: (800) 689.5644 • www.cmworks.com